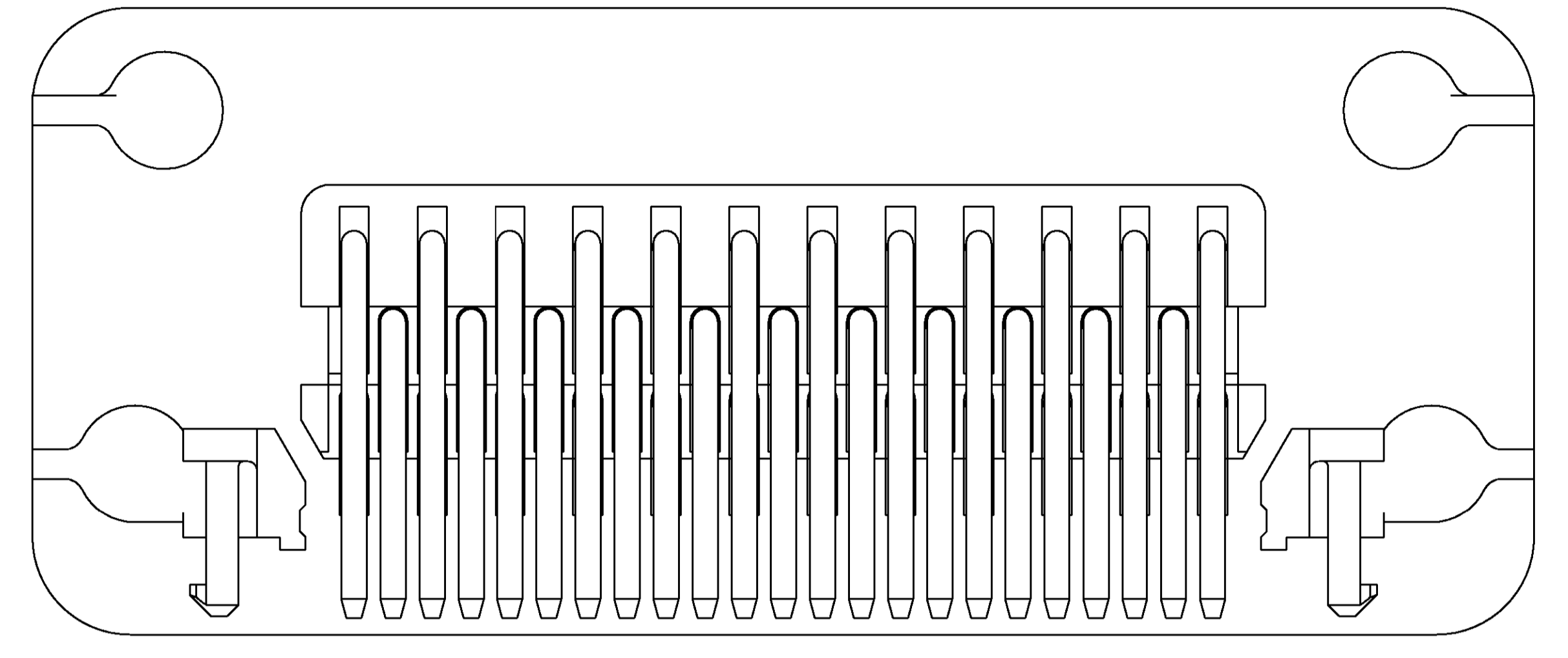
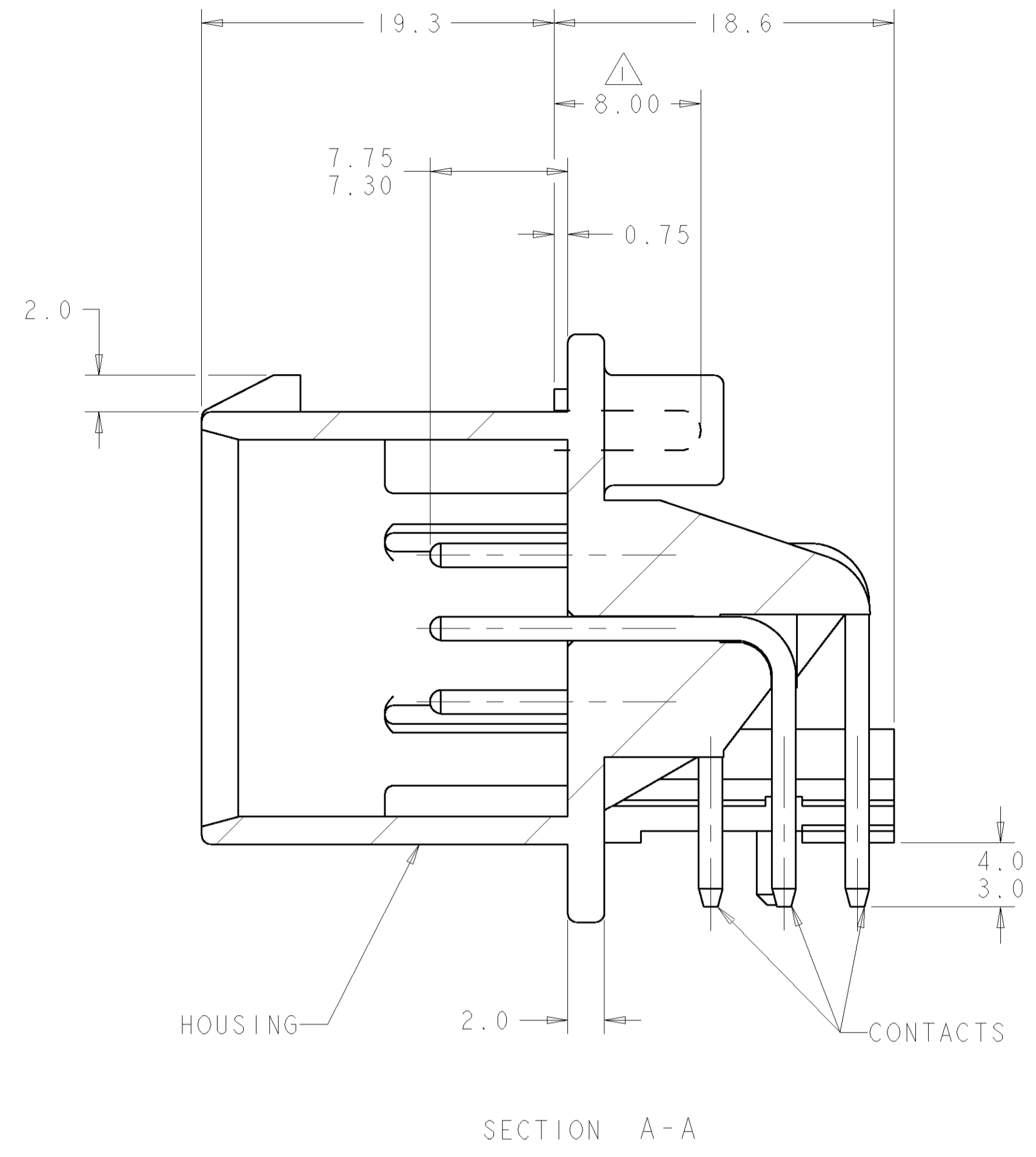
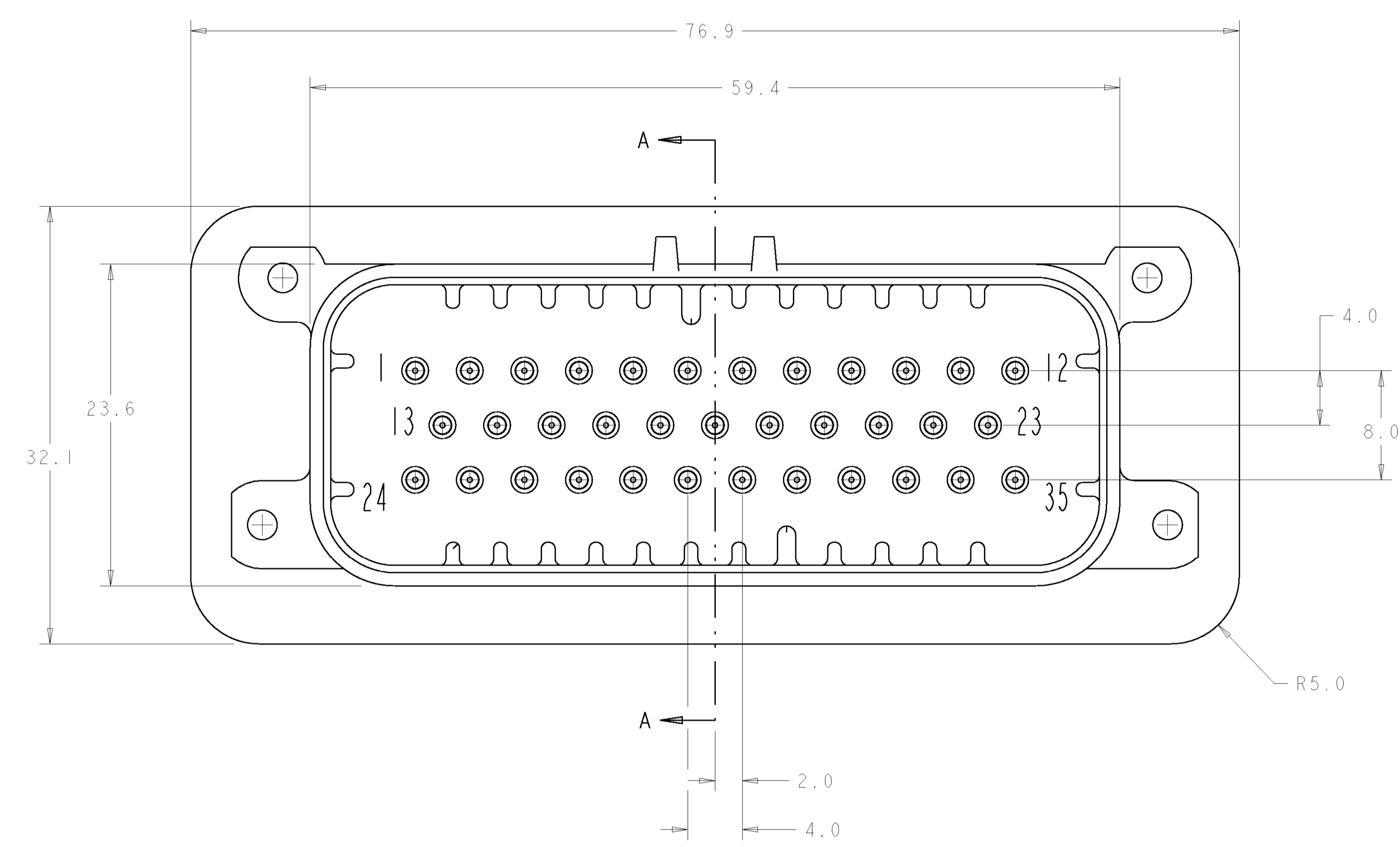
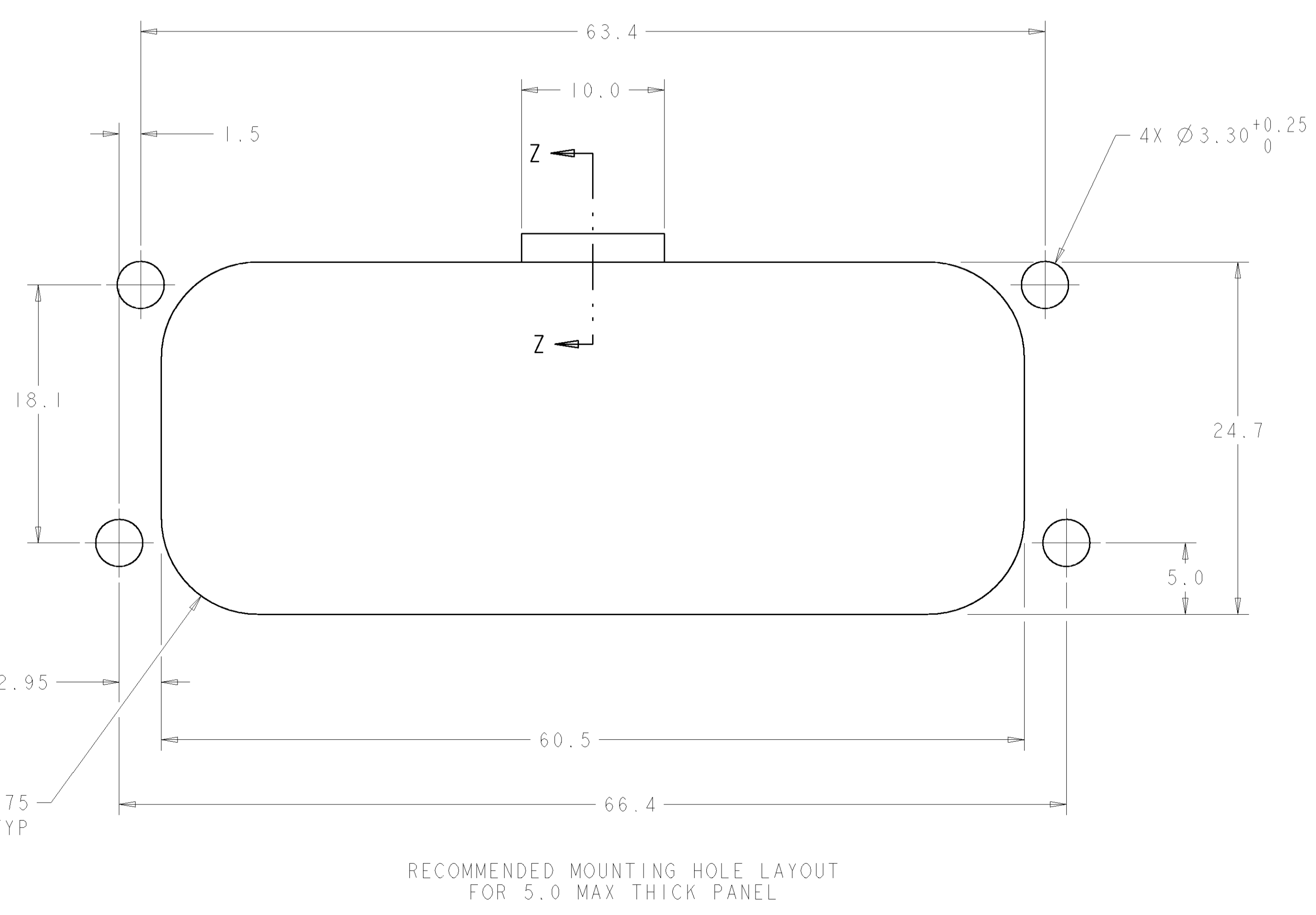


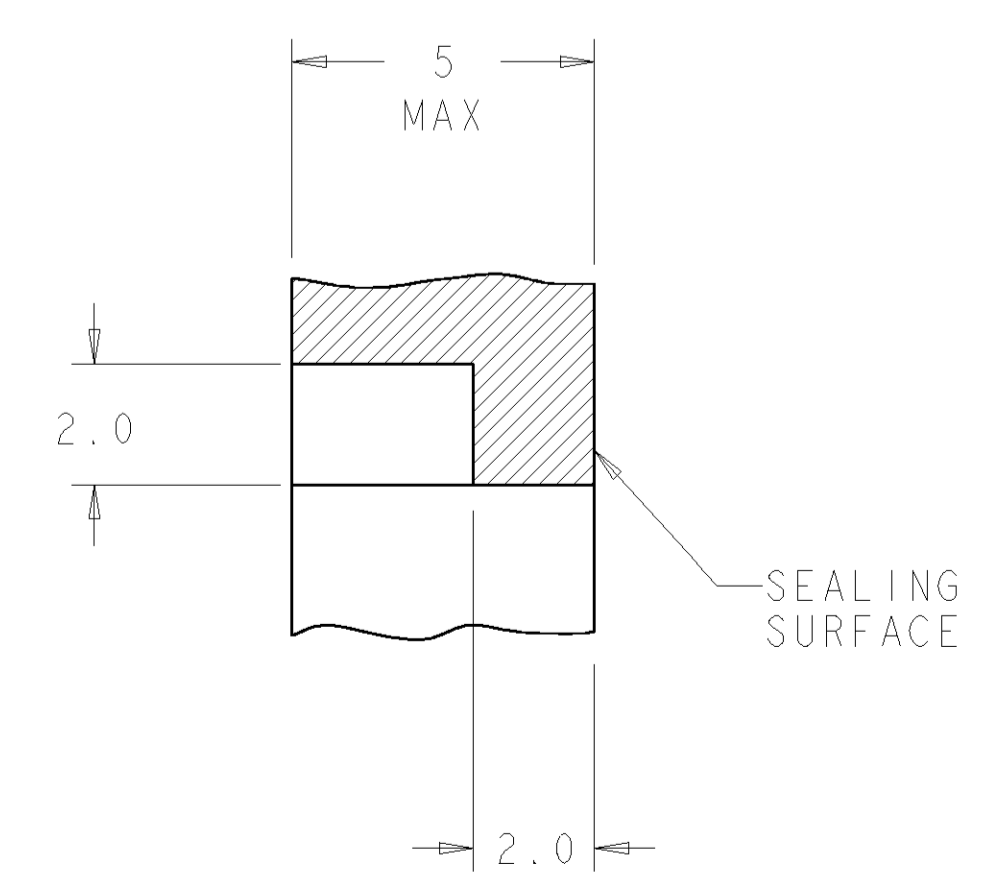
REV. NO.		REVISIONS		DATE	BY	APP'D
GE	00	H	REV PER ECR-05-012131	09/20/07	AS	AS



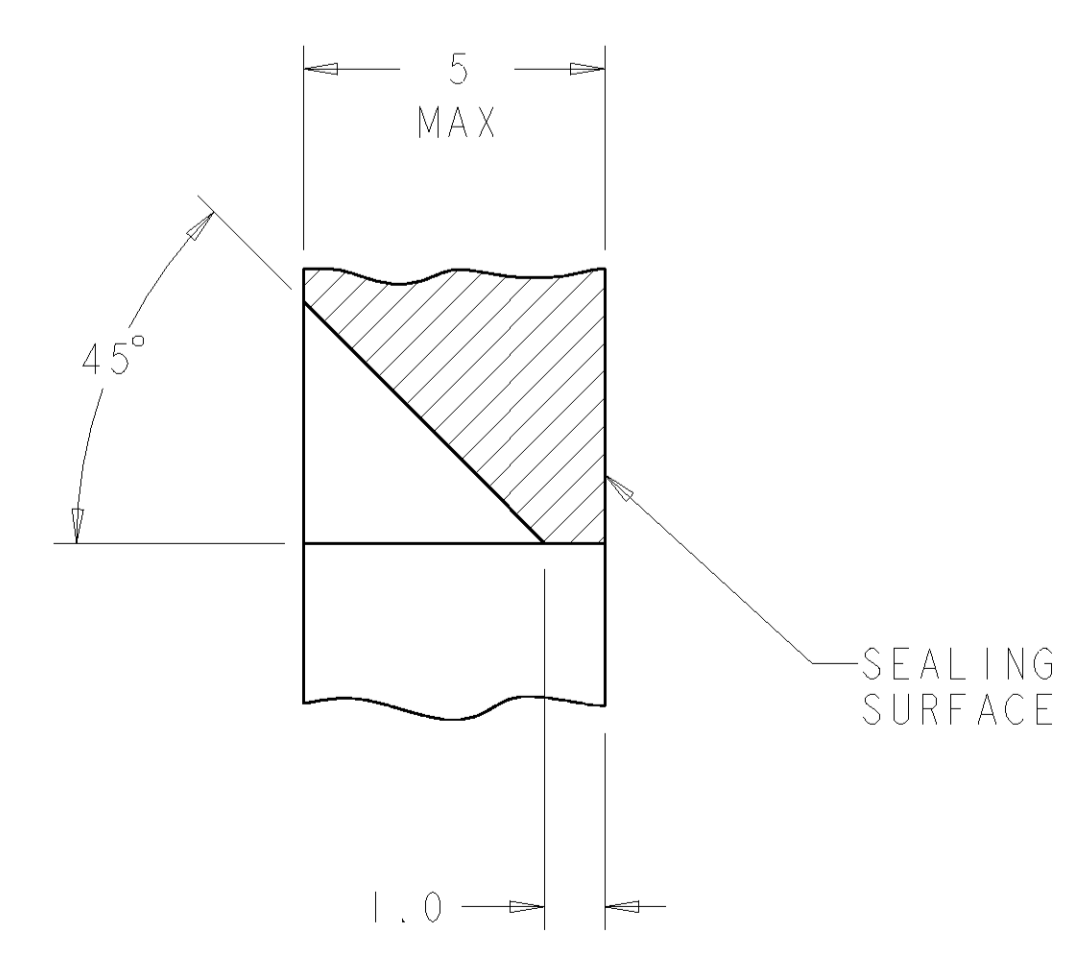
ACCEPTS #4 SELF TAPPING SCREW (ELCO HI-LO THREAD CUTTING STYLE OR EQUIVALENT) TO BE DRIVEN AT 0.6±0.2 N-M.
 HOUSING COLORS ARE MECHANICALLY KEYS TO MATE ONLY WITH IDENTICALLY COLORED PLUG ASSEMBLIES.



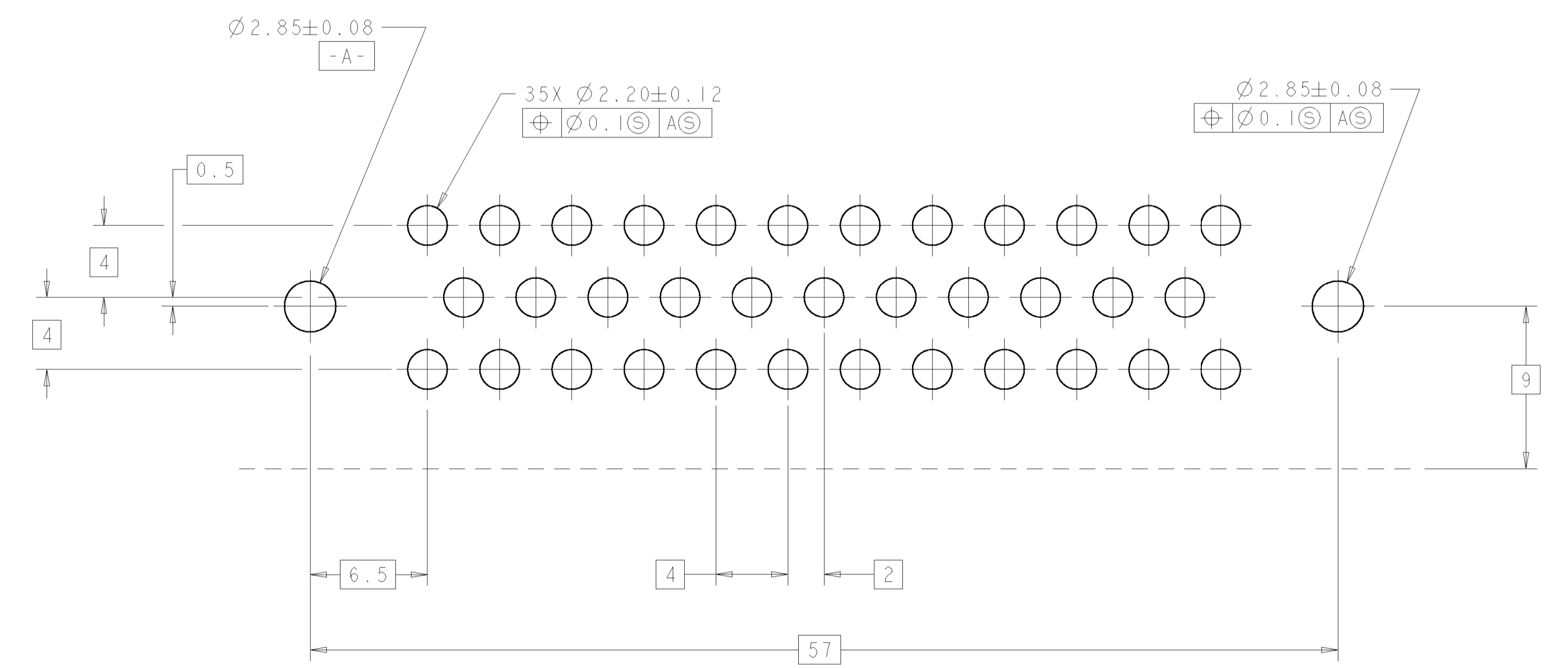
RECOMMENDED MOUNTING HOLE LAYOUT FOR 5.0 MAX THICK PANEL



SECTION Z-Z
 OPTIONAL CONSTRUCTION IF THICKNESS IS GREATER THAN 2.0
 SCALE 8:1



SECTION Z-Z
 OPTIONAL CONSTRUCTION IF THICKNESS IS GREATER THAN 2.0
 SCALE 8:1



RECOMMENDED P.C. BOARD LAYOUT FOR 1.57 THICK P.C. BOARD

MATERIAL FINISH	MATERIAL	COLOR	PART NO
BRASS DURAGOLD	PBT	ORANGE	1-776180-6
BRASS DURAGOLD	PBT	BLUE	1-776180-5
BRASS DURAGOLD	PBT	GRAY	1-776180-4
BRASS DURAGOLD	PBT	NATURAL (WHITE)	1-776180-2
BRASS DURAGOLD	PBT	BLACK	1-776180-1
BRASS TIN	PBT	BLUE	776180-5
BRASS TIN	PBT	GRAY	776180-4
BRASS TIN	PBT	NATURAL (WHITE)	776180-2
BRASS TIN	PBT	BLACK	776180-1

DIMENSIONS: UNLESS OTHERWISE SPECIFIED DIMENSIONS ARE IN INCHES DECIMALS ARE IN THIRDS FRACTIONS ARE IN SIXTEENTHS UNLESS OTHERWISE SPECIFIED	TITLE: 35 POSITION SNAP-IN AMPSEAL DATE: 31DEC2002 D. CODE: 31DEC2002 D. CODE: 31DEC2002	tyco Electronics Harrisburg, PA 17105-3808
MATERIAL: SEE TABLE FINISH:	CUSTOMER DRAWING:	SIZE: A0 CASE CODE: 00779 DRAWING NO: 776180 SCALE: 4:1 SHEET: 1 OF 1 REV: H